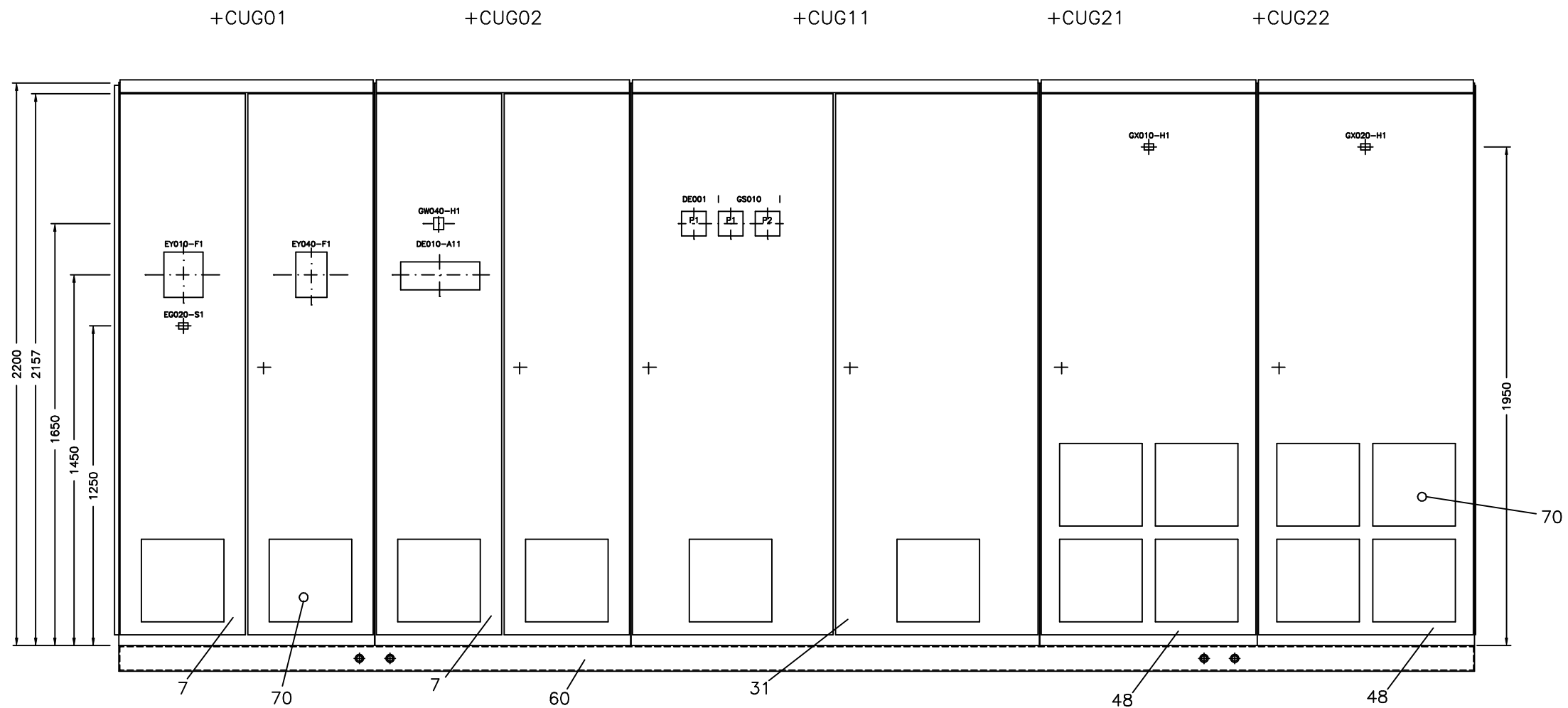
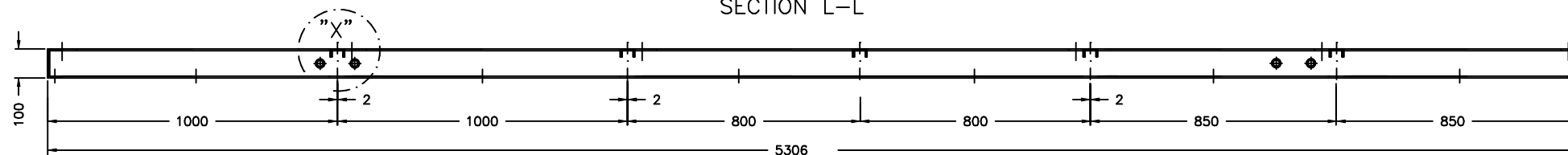


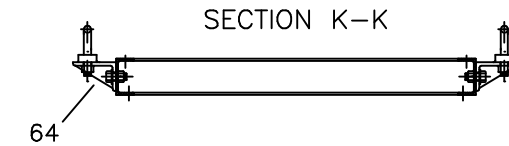
FRONT VIEW WITH DOORS



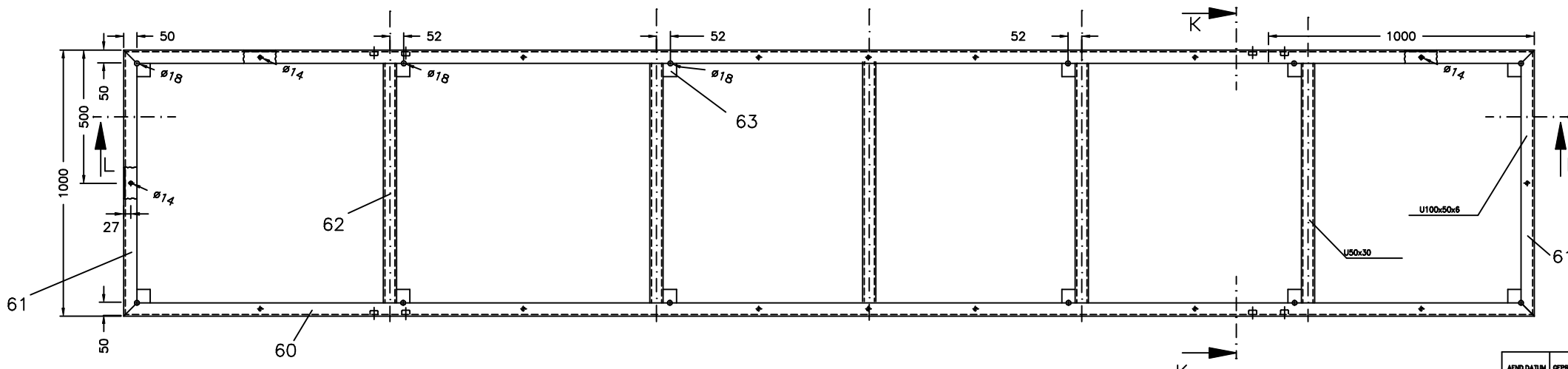
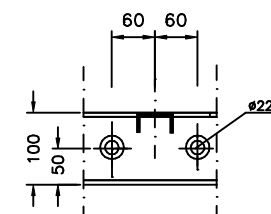
SECTION L-L



SECTION K-K

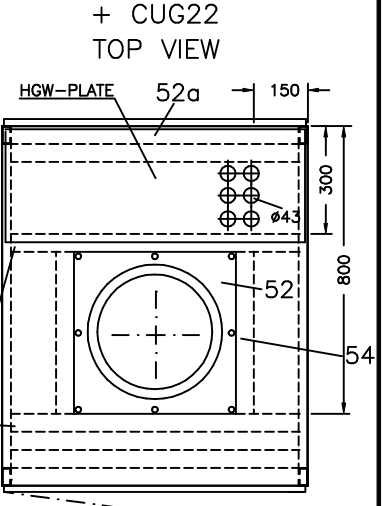
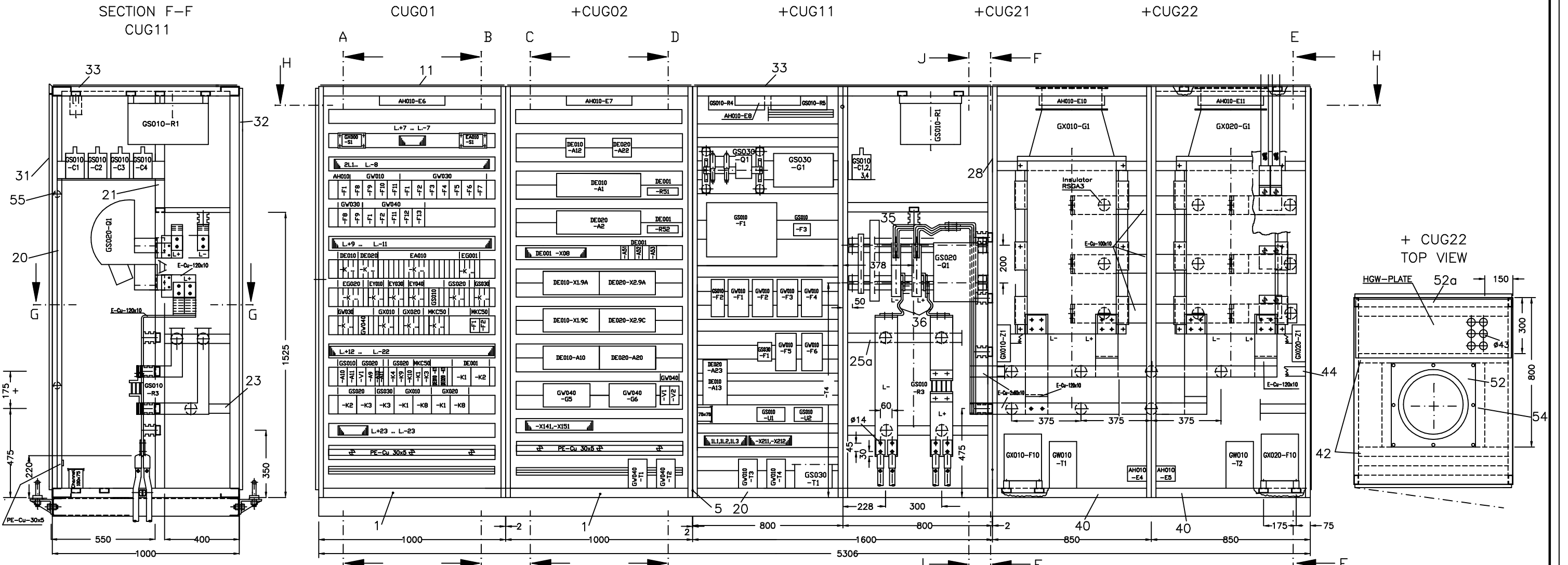


DETAIL "X"



PLAQUEMINE COGENERATION FACILITY PROJECT											
UNTERLAGEN/DATA					Prepared	01-08-01	Am	Based on	Dep. Pl. name No.	Type	Format
ADR/DATUM	REP/PLAUF/DR-REKID	FRAGEN/REKID	NAME	DATUM	01-08-01	Mn	Responsible dep.	SECD/CS12	Number No.		
MOD. DATE					01-08-01	Mn	SECD/CS12				
					01-08-01	Mn	SECD/CS12				
ARRANGEMENT EXCITATION EQUIPMENT											
ALSTOM Power											
GME6 503 110											
1 3											

FRONT VIEW WITHOUT DOORS



- DE010 - K2, 3, 4, 5
- DE020 - K2, 3, 4, 5
- EA010 - K1, 2, 3, 4, 5
- EG001 - K1, 2, 3, 4, 5
- EG020 - K1, 2, 3, 4, 5
- EY010 - K1, 2, 4
- EY030 - K1, 2
- EY040 - K1, 2, 3
- GS010 - K1, 2
- GS020 - K1, 5, 6, 7, 8
- GS030 - K1, 2
- GW030 - K1, 2
- GW040 - K3, 4
- GX010 - K2, 3, 4, 5, 7, 9, 10
- GX020 - K2, 3, 4, 5, 7, 9, 10
- MKC50 - K2, 4

PLAQUEMINE COGENERATION FACILITY PROJECT									
APP/DATE	UNTERLAGEN/DATA	PREPARED	DATE	TIME	REVISION	DATE	TIME	REVISION	DATE
		01-08-01	Am						
		01-08-01	Mn						
		01-08-01	Mn						

Project	PL 003
Product	ARRANGEMENT EXCITATION EQUIPMENT
Doc. No.	GME6 503 110
Rev. No.	2
Sheet No.	3

ALSTOM Power

SECTION A-A
+CUG01

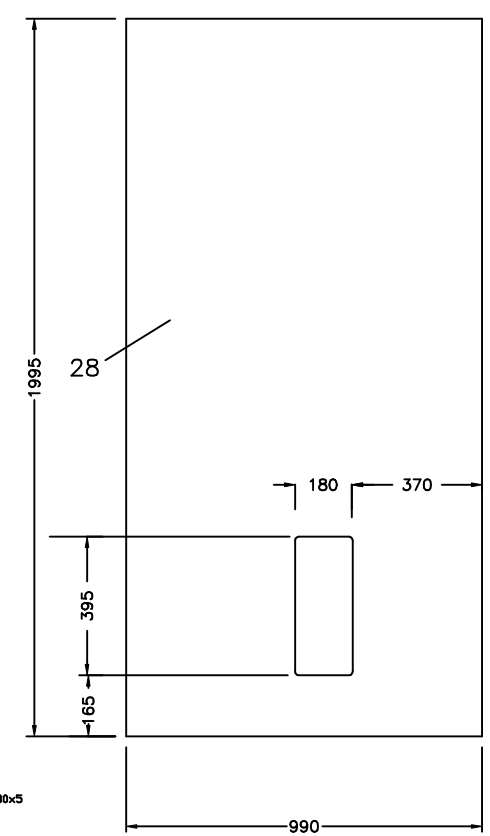
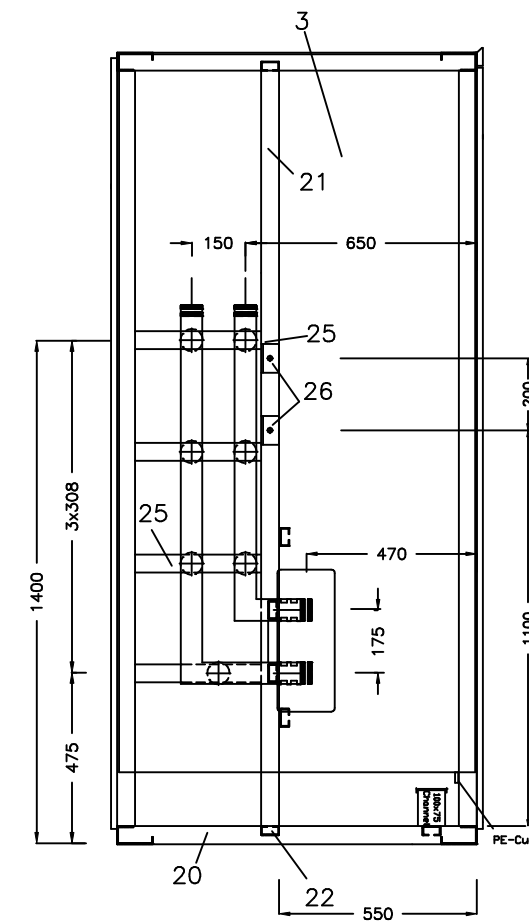
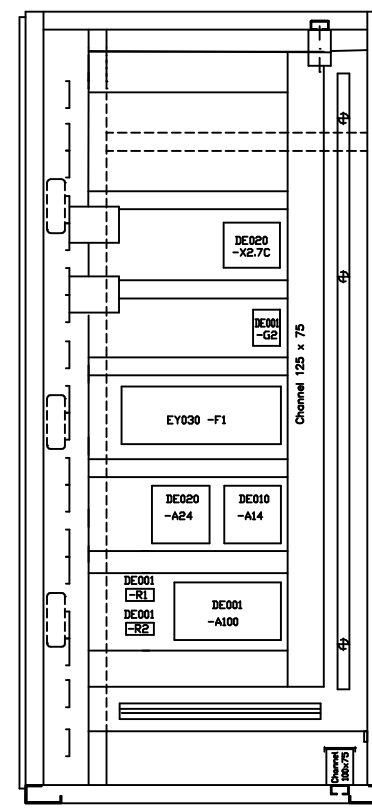
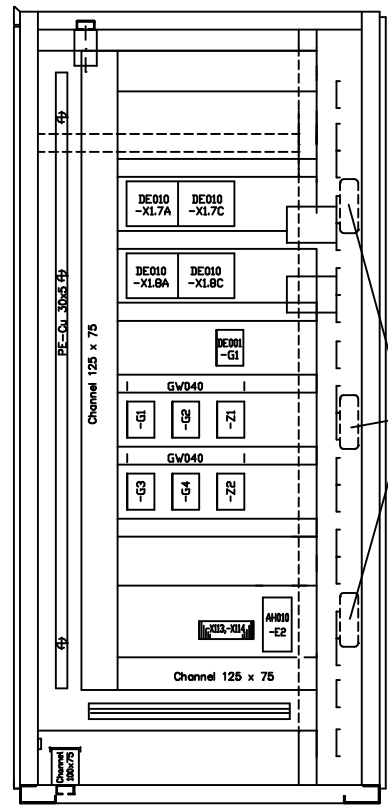
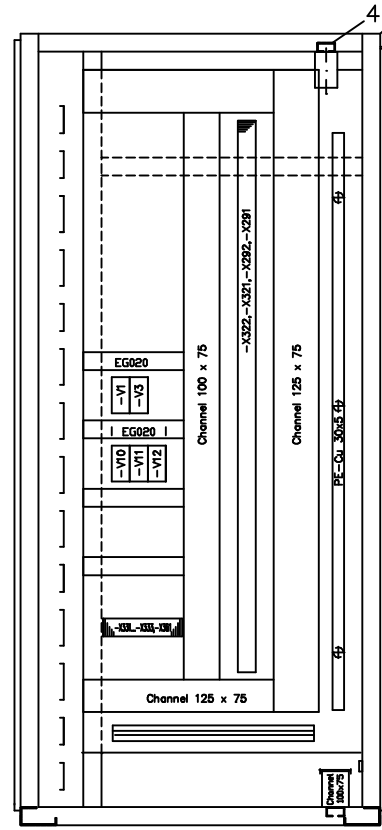
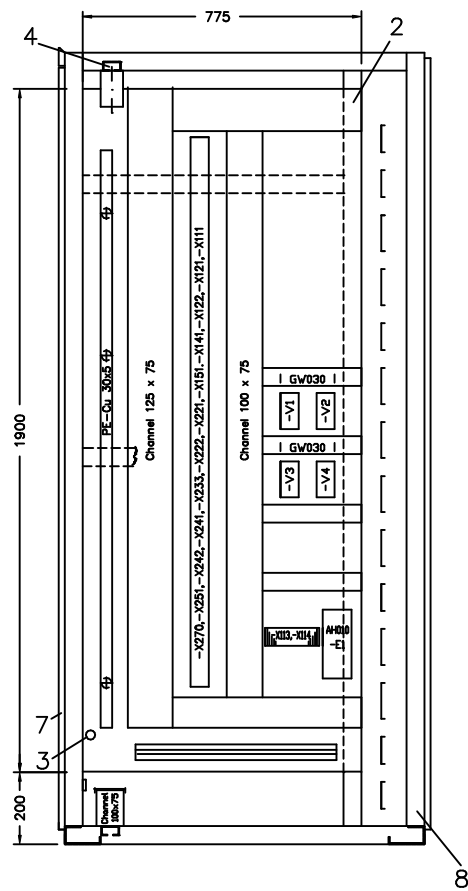
SECTION B-B
+CUG01

SECTION C-C
+CUG02

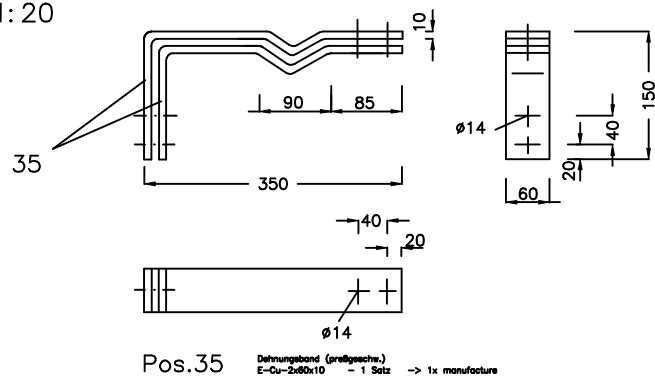
SECTION D-D
+CUG02

SECTION J-J
+CUG11

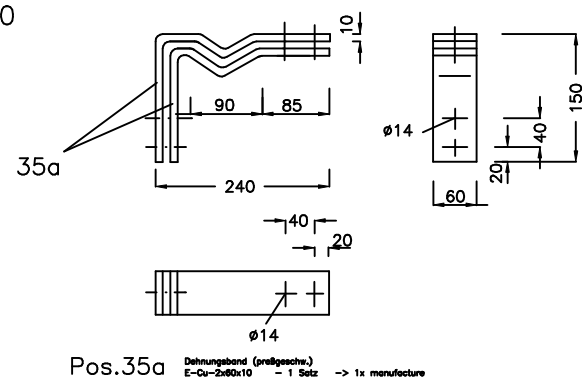
SIDE-WALL
BETWEEN +CUG11/+CUG21



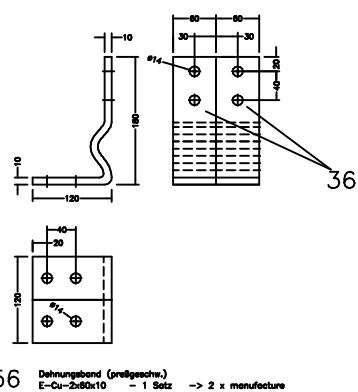
Scale 1:20



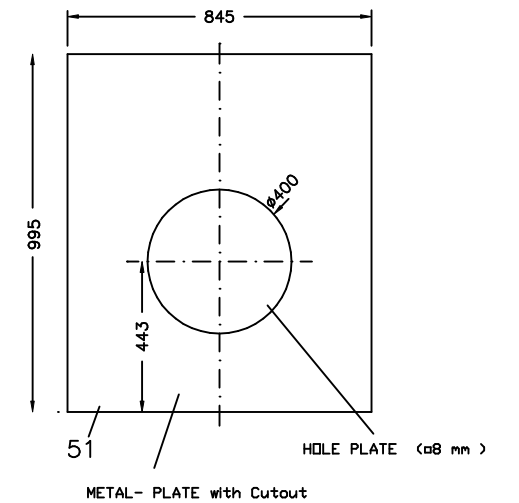
Scale 1:20



Scale 1:20



CUG21
ROOF PLATE



PLAQUEMINE COGENERATION FACILITY PROJECT

ADRES/DATUM MOD. DATE	UNTERLAGEN/DATA GEPRÜFT/checked NAME DATUM	PRÜFER/checked NAME DATUM	Freigegeben/Released	Prepared	01-08-01	Am	Based on	Responsible dept.	SECD/CS12	Sup. Pl. name file number file	Type	Format
				Approved	01-08-01	Mn		SECD/CS12				
				Released	01-08-01	Mn						
ARRANGEMENT EXCITATION EQUIPMENT												
ALSTOM Power												
GME6 503 110												
3												3